

Flat Cabinet U-Handles

Aluminum

SPECIFICATION

Types

- Type **A**: Mounting from the back (threaded blind bore)
- Type **B**: Mounting from the operator's side (only for $b_1 = 20$)

Handle

Aluminum

- Powder coated
 - Black, RAL 9005, textured finish **SW**
 - Silver, RAL 9006, textured finish **SR**
- Plain finish, tumbled **BL**

Fastening set for type B

- Handle bases
 - Plastic, Polyamide (PA)
 - Black, matte finish for SW / BL
 - Light gray, matte finish for SR
- Socket cap screws DIN 7984
 - Steel
 - Zinc plated, blue passivated



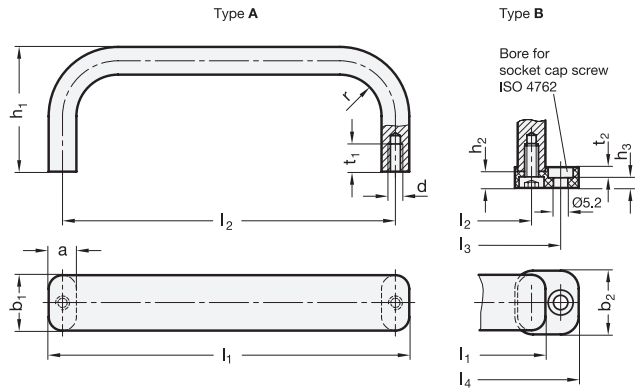
INFORMATION

Flat cabinet U-handles GN 668 are manufactured from a bent aluminum profile.

They can be mounted either from the back (type A) or by means of the handle base from the operator's side (type B).

TECHNICAL INFORMATION

- Load Rating Information (see page A35)
- Plastic Characteristics (see page A2)



* Complete with

SW **SR** **BL**
RAL9005 RAL9006 Plain finish

GN 668-A

Description	b ₁	l ₁	a	b ₂	d	h ₁	l ₂	r	t min.	⚖
GN 668-20-130-A-*	20	130	10	23	M 5	45	120	15	10	80
GN 668-20-170-A-*	20	170	10	23	M 5	45	160	15	10	111
GN 668-20-190-A-*	20	190	10	23	M 5	45	180	15	10	120
GN 668-20-210-A-*	20	210	10	23	M 5	45	200	15	10	125
GN 668-30-262-A-*	30	262	12	-	M 6	50	250	15	12	277
GN 668-30-312-A-*	30	312	12	-	M 6	50	300	15	12	334
GN 668-30-362-A-*	30	362	12	-	M 6	50	350	15	12	380
GN 668-30-412-A-*	30	412	12	-	M 6	50	400	15	12	425

GN 668-B

Description	b ₁	l ₁	a	b ₂	h ₁	h ₂	h ₃	l ₂	l ₃	l ₄	r	t ₂	⚖
GN 668-20-130-B-*	20	130	10	23	45	6.5	2.5	120	141	153	15	5	100
GN 668-20-170-B-*	20	170	10	23	45	6.5	2.5	160	181	193	15	5	120
GN 668-20-190-B-*	20	190	10	23	45	6.5	2.5	180	201	213	15	5	130
GN 668-20-210-B-*	20	210	10	23	45	6.5	2.5	200	221	233	15	5	136

Weight SW